

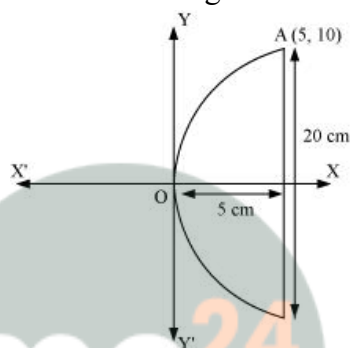
NCERT Solutions for Class-XI Maths

Chapter-11 Exercise-Miscellaneous

NCERT Math Class 11

1. If a parabolic reflector is 20 cm in diameter and 5 cm deep, find the focus.
1. The origin of the coordinate plane is taken at the vertex of the parabolic reflector in such a way that the axis of the reflector is along the positive x – axis.

This can be diagrammatically represented as



The equation of the parabola is of the form $y^2 = 4ax$ (as it is opening to the right)

Since, the parabola passes through point $A(10, 5)$, $10^2 = 4a(5)$

$$\Rightarrow 100 = 20a$$

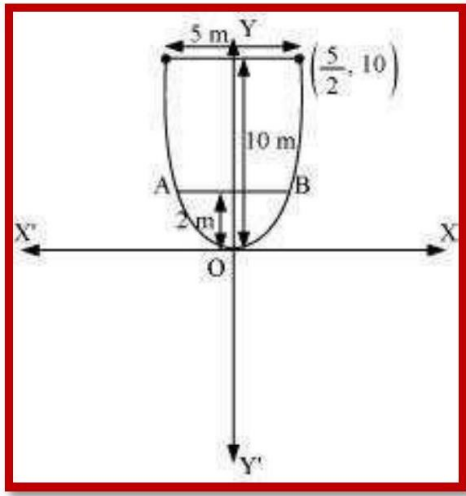
$$\Rightarrow a = \frac{100}{20} = 5$$

Therefore, the focus of the parabola is $(a, 0) = (5,0)$, which is the mid – point of the diameter.

Hence, the focus of the reflector is at the mid-point of the diameter.

2. An arch is in the form of a parabola with its axis vertical. The arch is 10 m high and 5 m wide at the base. How wide is it 2 m from the vertex of the parabola?
2. The origin of the coordinate plane is taken at the vertex of the arch in such a way that its vertical axis is along the positive y -axis.

This can be diagrammatically represented as



The equation of the parabola is of the form $x^2 = 4ay$ (as it is opening upwards).

It can be clearly seen that the parabola passes through point $(\frac{5}{2}, 10)$.

$$\left(\frac{5}{2}\right)^2 = 4a(10)$$

$$\Rightarrow a = \frac{25}{4 \times 4 \times 10} = \frac{5}{32}$$

Therefore, the arch is in the form of a parabola whose equation is $x^2 = \frac{5}{8}y$.

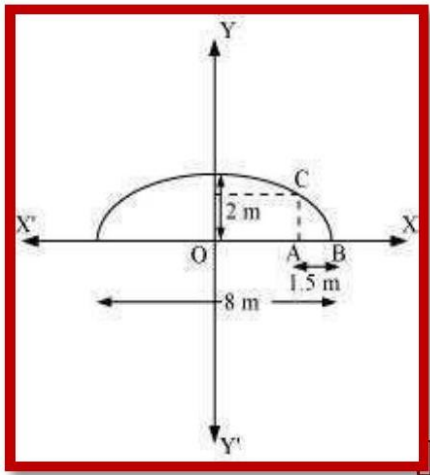
When $y = 2$ m, $x^2 = \frac{5}{8} \times 2$

$$\Rightarrow x^2 = \frac{5}{4}$$

$$\Rightarrow x = \sqrt{\frac{5}{4}} \text{ m} \therefore AB = 2 \times \sqrt{\frac{5}{4}} \text{ m} = 2 \times 1.118 \text{ m (approx.)} = 2.23 \text{ m (approx.)}$$

Hence, when the arch is 2 m from the vertex of the parabola, its width is approximately 2.23 m.

3. The cable of a uniformly loaded suspension bridge hangs in the form of a parabola. The roadway which is horizontal and 100 m long is supported by vertical wires attached to the cable, the longest wire being 30 m and the shortest being 6 m. Find the length of a supporting wire attached to the roadway 18 m from the middle.
3. The vertex is at the lowest point of the cable. The origin of the coordinate plane is taken as the vertex of the parabola, while its vertical axis is taken along the positive y -axis. This can be diagrammatically represented as



The equation of the semi-ellipse will be of the form $\frac{x^2}{a^2} + \frac{y^2}{b^2} = 1, y \geq 0$ where a is the semi-major axis

Accordingly, $2a = 8 \Rightarrow a = 4$ $b = 2$

Therefore, the equation of the semi-ellipse is $\frac{x^2}{16} + \frac{y^2}{4} = 1, y \geq 0$

Let A be a point on the major axis such that $AB = 1.5$ m.

Draw $AC \perp OB$.

$OA = (4 - 1.5)m = 2.5$ m

The x -coordinate of point C is 2.5.

On substituting the value of x with 2.5 in equation (1), we obtain

$$\frac{(2.5)^2}{16} + \frac{y^2}{4} = 1$$

$$\Rightarrow \frac{6.25}{16} + \frac{y^2}{4} = 1$$

$$\Rightarrow y^2 = 4 \left(1 - \frac{6.25}{16}\right)$$

$$\Rightarrow y^2 = 4 \left(\frac{9.75}{16}\right)$$

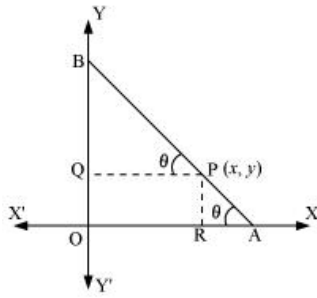
$$\Rightarrow y^2 = 2.4375$$

$$\Rightarrow y = 1.56 \text{ (approx.)}$$

$$\therefore AC = 1.56 \text{ m}$$

Thus, the height of the arch at a point 1.5 m from one end is approximately 1.56 m.

5. A rod of length 12 cm moves with its ends always touching the coordinate axes. Determine the equation of the locus of a point P on the rod, which is 3 cm from the end in contact with the x -axis.
5. Let AB be the rod making an angle θ with OX and $P(x,y)$ be the point on it such that $AP = 3$ cm.



Then, $PB = AB - AP = (12 - 3)\text{cm} = 9\text{cm}$ [$AB = 12\text{cm}$]

From P, draw $PQ \perp OY$ and $PR \perp OX$.

In ΔPBQ , $\cos \theta = \frac{PQ}{PB} = \frac{x}{9}$

$\sin \theta = \frac{PR}{PA} = \frac{y}{3}$

Since, $\sin^2 \theta + \cos^2 \theta = 1$,

$$\left(\frac{y}{3}\right)^2 + \left(\frac{x}{9}\right)^2 = 1$$

$$\text{Or, } \frac{x^2}{81} + \frac{y^2}{9} = 1$$

Thus, the equation of the locus of point P on the rod is $\frac{x^2}{81} + \frac{y^2}{9} = 1$.

6. Find the area of the triangle formed by the lines joining the vertex of the parabola $x^2 = 12y$ to the ends of its latus rectum.

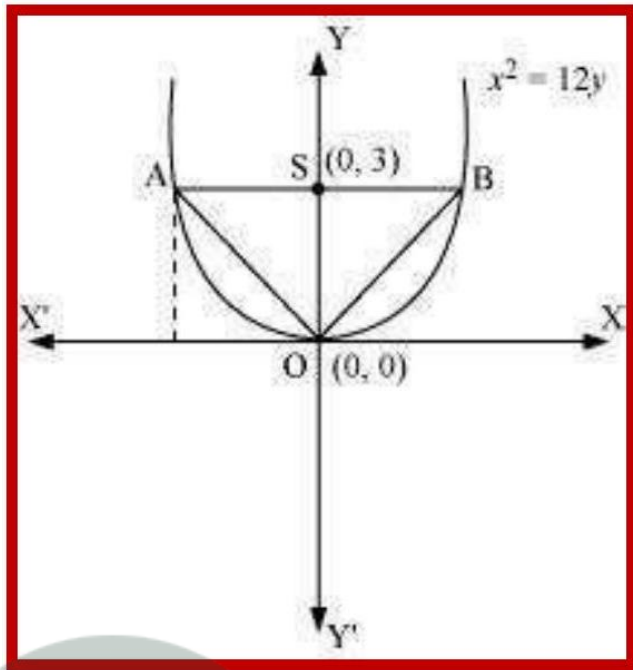
6. The given parabola is $x^2 = 12y$.

On comparing this equation with $x^2 = 4ay$, we obtain $4a = 12 \Rightarrow a = 3$

\therefore The coordinates of foci are $S(0, a) = S(0, 3)$

Let AB be the latus rectum of the given parabola.

The given parabola can be roughly drawn as



At $y = 3, x^2 = 12(3) \Rightarrow x^2 = 36 \Rightarrow x = \pm 6$

\therefore The coordinates of A are $(-6,3)$, while the coordinates of B are $(6,3)$.

Therefore, the vertices of ΔOAB are $O(0,0)$, $A(-6,3)$, and $B(6,3)$.

$$\text{Area of } \Delta OAB = \frac{1}{2} |0(3 - 3) + (-6)(3 - 0) + 6(0 - 3)| \text{unit}^2$$

$$= \frac{1}{2} |(-6)(3) + 6(-3)| \text{unit}^2$$

$$= \frac{1}{2} |-18 - 18| \text{unit}^2$$

$$= \frac{1}{2} |-36| \text{unit}^2$$

$$= \frac{1}{2} \times 36 \text{unit}^2$$

$$= 18 \text{unit}^2$$

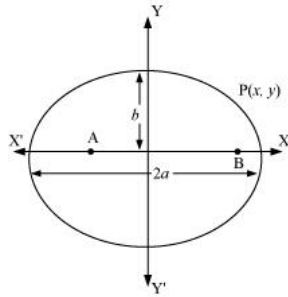
Thus, the required area of the triangle is 18unit^2 .

7. A man running a racecourse notes that the sum of the distances from the two flag posts from him is always 10 m and the distance between the flag posts is 8 m. Find the equation of the posts traced by the man.
7. Let A and B be the positions of the two flag posts and $P(x,y)$ be the position of the man. Accordingly, $PA + PB = 10$.

We know that if a point moves in plane in such a way that the sum of its distance from two fixed point is constant, then the path is an ellipse and this constant value is equal to the length of the major axis of the ellipse.

Therefore, the path described by the man is an ellipse where the length of the major axis is 10m, while points A and B are the foci.

Taking the origin of the coordinate plane as the centre of the ellipse, while taking the major axis along the x-axis, the ellipse can be diagrammatically represented as



The equation of the ellipse will be of the form $\frac{x^2}{a^2} + \frac{y^2}{b^2} = 1$, where a is the semi-major axis.

Accordingly, $2a = 10 \Rightarrow a = 5$

Distance between the foci ($2c$) = 8

$\Rightarrow c = 4$

On using the relation, $c = \sqrt{a^2 - b^2}$, we get,

$$4 = \sqrt{25 - b^2}$$

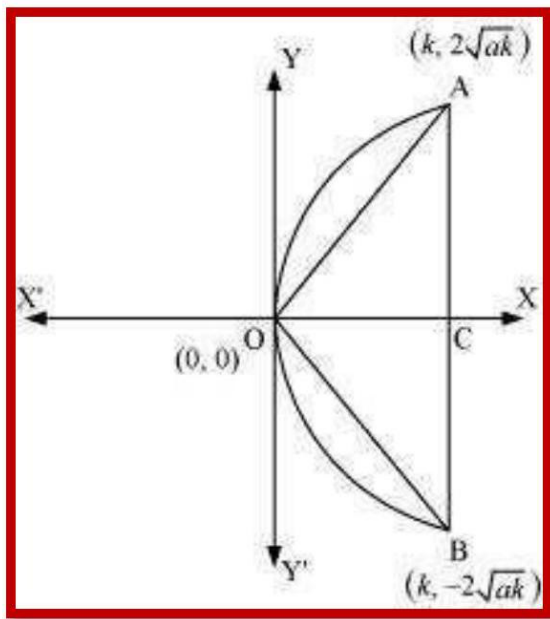
$$\Rightarrow 16 = 25 - b^2$$

$$\Rightarrow b^2 = 25 - 16 = 9$$

$$\Rightarrow b = 3$$

Hence, equation of the path traced by the man is $\frac{x^2}{25} + \frac{y^2}{9} = 1$

8. An equilateral triangle is inscribed in the parabola $y^2 = 4ax$, where one vertex is at the vertex of the parabola. Find the length of the side of the triangle.
8. Let OAB be the equilateral triangle inscribed in parabola $y^2 = 4ax$. Let AB intersect the x -axis at point C .



Let $OC = k$

From the equation of the given parabola, we have $y^2 = 4ak \Rightarrow y = \pm 2\sqrt{ak}$

\therefore The respective coordinates of points A and B are $(k, 2\sqrt{ak})$, and $(k, -2\sqrt{ak})$

$$AB = CA + CB = 2\sqrt{ak} + 2\sqrt{ak} = 4\sqrt{ak}$$

Since OAB is an equilateral triangle, $OA^2 = AB^2$.

$$\therefore k^2 + (2\sqrt{ak})^2 = (4\sqrt{ak})^2$$

$$\Rightarrow k^2 + 4ak = 16ak$$

$$\Rightarrow k^2 = 12ak$$

$$\Rightarrow k = 12a$$

$$\therefore AB = 4\sqrt{ak} = 4\sqrt{a \times 12a} = 4\sqrt{12a^2} = 8\sqrt{3}a$$

Thus, the side of the equilateral triangle inscribed in parabola $y^2 = 4ax$ is $8\sqrt{3}a$.